

Test report is for reference only.

**TEST REPORT**  
**for**  
**TXPZ-2040/P**

## Technical Specification

Frequency Range	VSWR(Typ.)	Power CW	Connector
200-400MHz	2.5:1	300W	N-Female

## Test Instruments

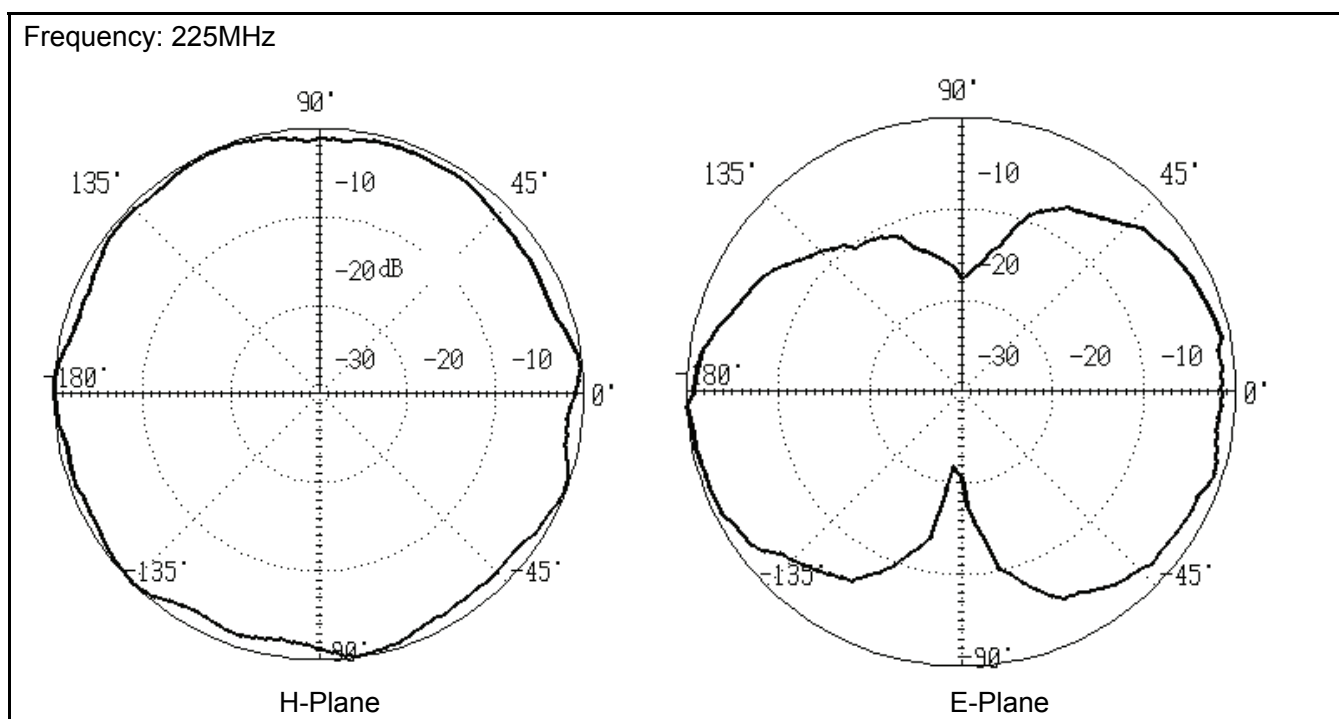
- AV1481C
- AV4033
- HP8720D

## Test Result

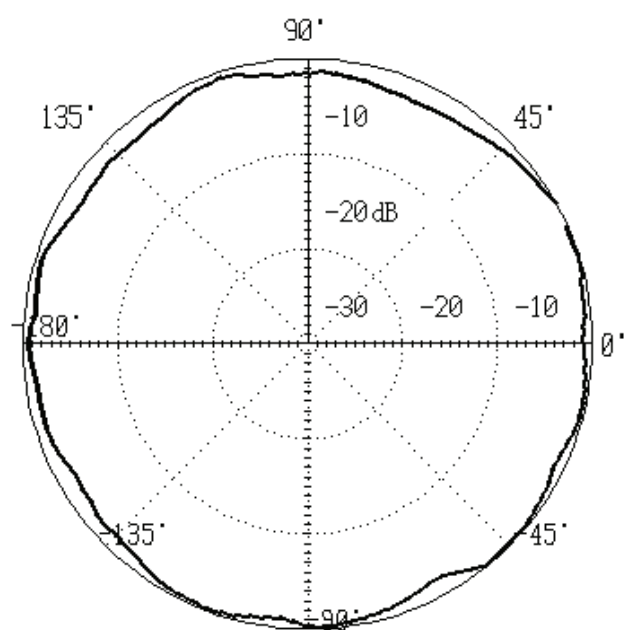
### 1. Gain

Frequency(MHz)	225	300	400
Gain(dBi)	1.5	1.7	2.0

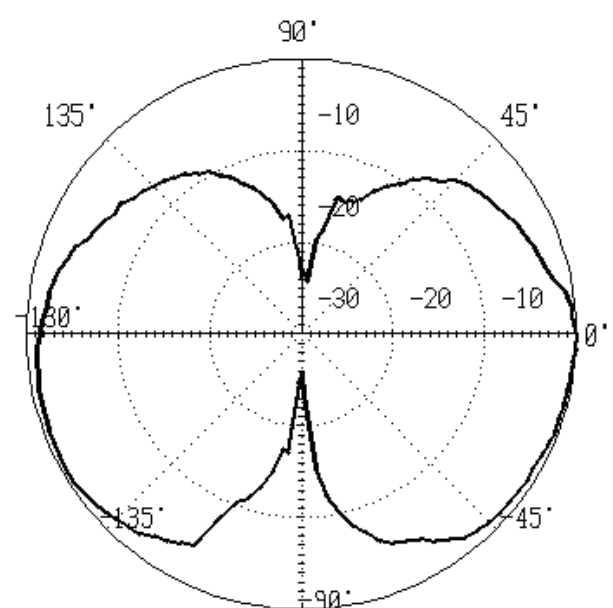
### 2. Pattern



Frequency: 300MHz

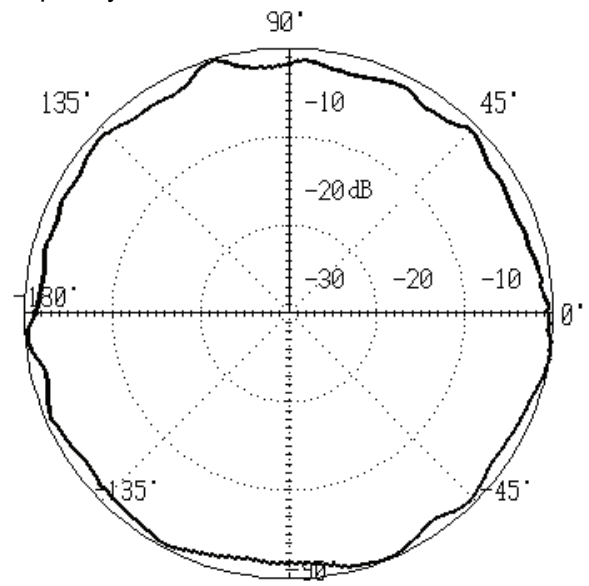


H-Plane

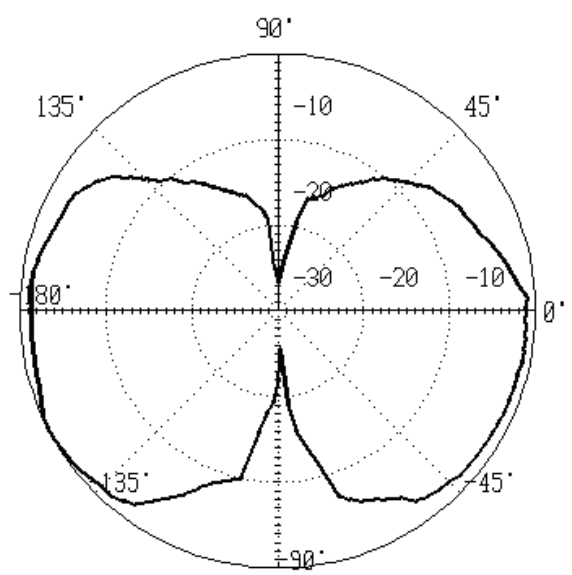


E-Plane

Frequency: 400MHz



H-Plane



E-Plane