

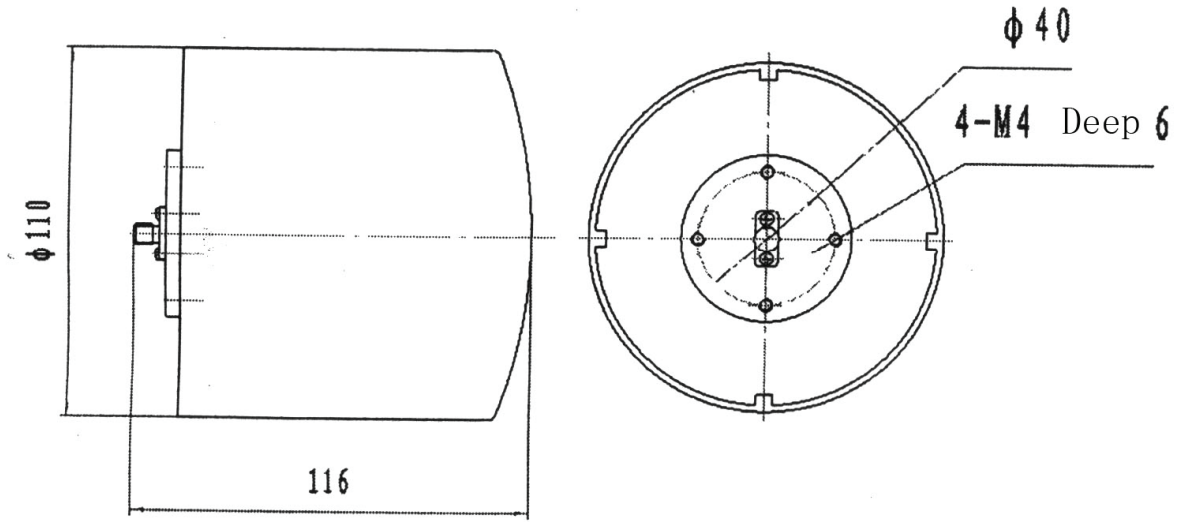
Test report is for reference only.

**TEST REPORT**  
for  
**TXPZ-1001200/P**

## Technical Specification

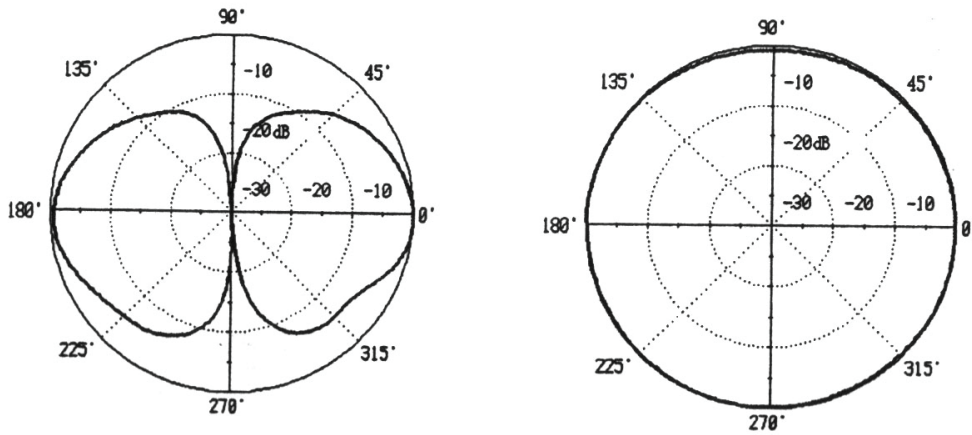
Frequency Range	VSWR Typ.	Power CW	Connector	Size ( $\Phi$ x H)
1-12GHz	2.5:1	80W	SMA -Female	110x116mm

## Outline Drawing



## Test Results

### 1. Pattern



### 2. VSWR

