

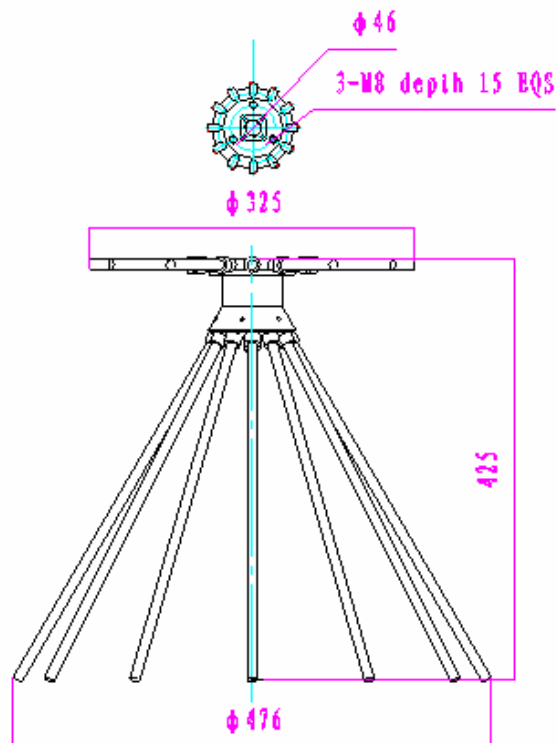
Test report is for reference only.

**TEST REPORT**  
for  
**C & Q TXPZ-25100/P**

## Technical Specification

Frequency Range	Polarization	VSWR(Typ.)	Connector	Size
0.25-1.0GHz	Vertical	2.5:1	N-Female	Φ476 x 425mm

## Outline Drawing

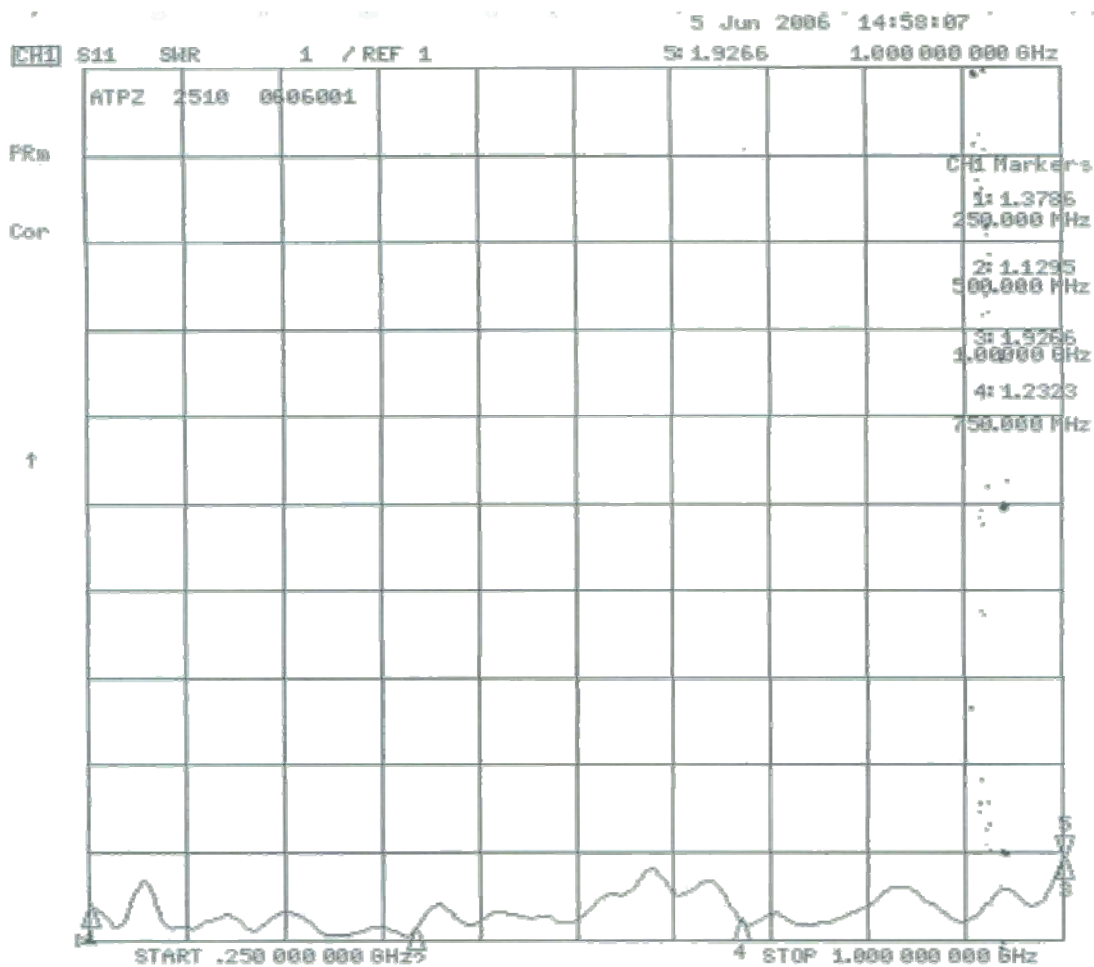


## Test Instruments

- AV1487B
- HP8592L
- HP8720D

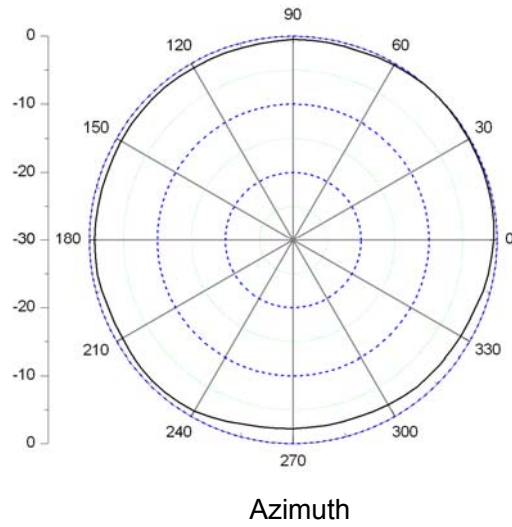
## Test Results

### 1. VSWR

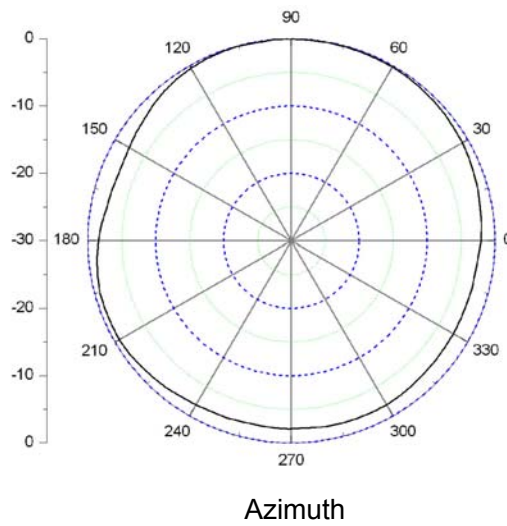


### 3. Pattern

Frequency: 250MHz



Frequency: 500MHz



Frequency: 1000MHz

