

Test report is for reference only.

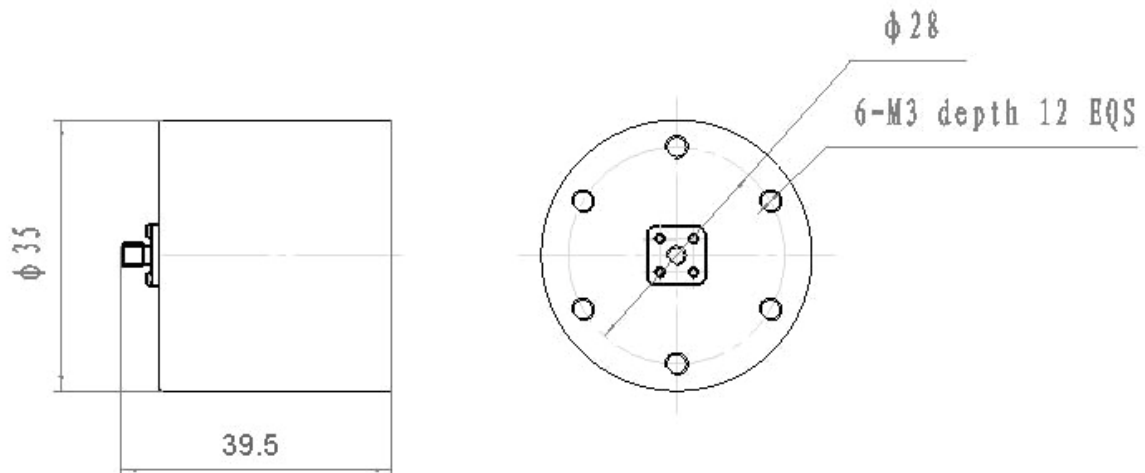
TEST REPORT
for
C &QTXLX-4080



Technical Specification

Polarization	RHCP
Frequency Range(GHz)	4-8
Gain(dBi)	2.5 @4GHz
	4.3 @6GHz
	5.6 @8GHz
Axial Ratio(dB)	3 max
VSWR	2.5:1 Typ.
Connector	SMA-Female
Size(mm)	Φ35x39.5

Outline Drawing



Test Instruments

- HP8720D
- AV14812
- AV4033

Test Results

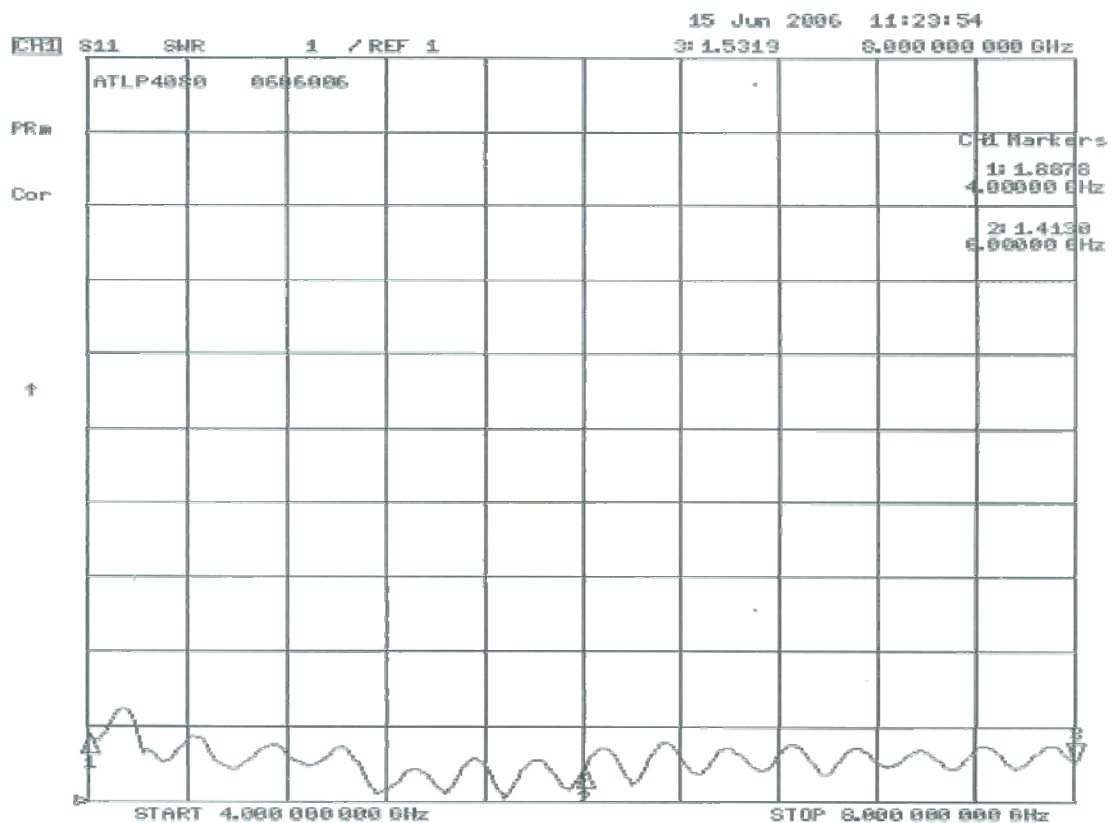
1. Gain

Frequency(GHz)	4	6	8
Gain(dBi)	2.5	4.3	5.6

2. Axial Ratio

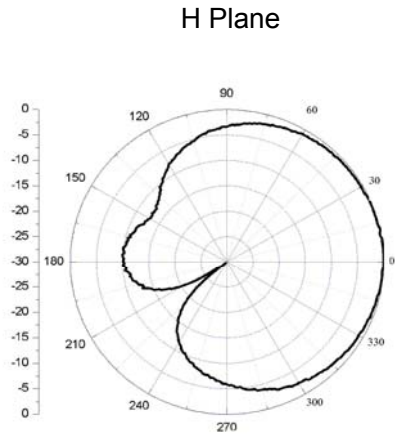
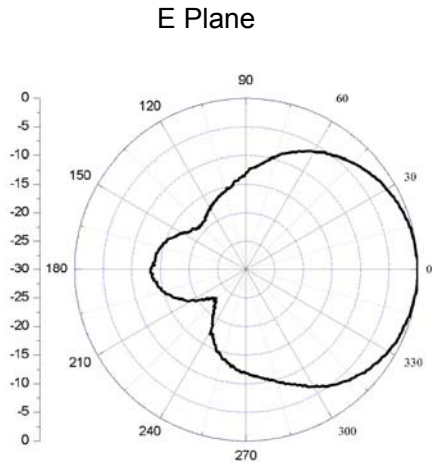
Frequency(GHz)	4	6	8
Axial Ratio(dB)	2.8	1.8	2.2

3. VSWR

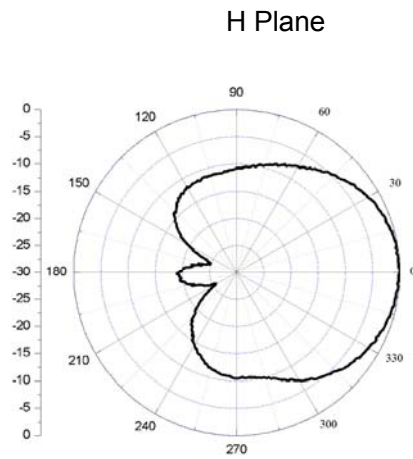
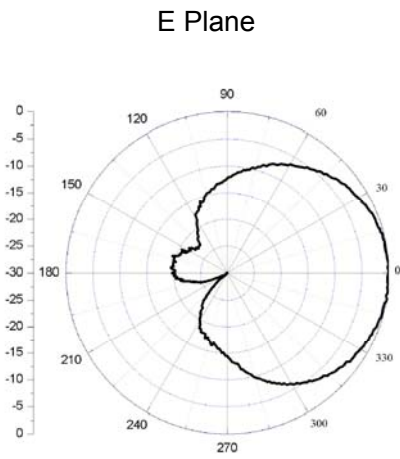


4. Pattern

Frequency: 4GHz



Frequency: 6GHz



Frequency: 8GHz

