

Test report is for reference only.

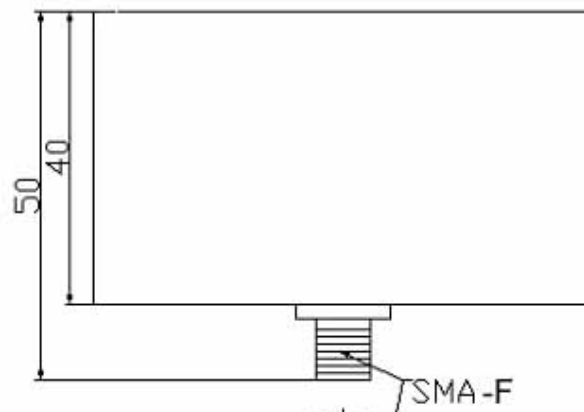
TEST REPORT
For
C & Q TXLX-20180SA



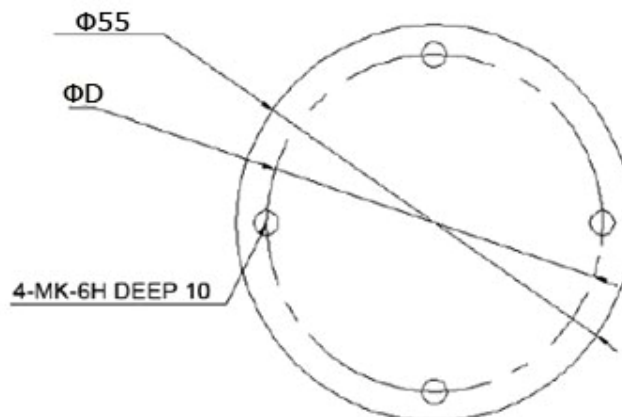
Technical Specification

Polarization	RHCP or LHCP
Frequency Range(GHz)	2 -18
Gain(dBi)	- 3.5 @2GHz
	1.6 @8GHz
	1.8 @18GHz
Beamwidth(°)	135 - 65
Axial Ratio(dB)	6 max
VSWR	2.5 : 1 Typ.
Connector	SMA-Female
Size(mm)	Φ55 x 50
Net Weight(Kg)	0.13

Outline Drawing



Mounting



Model	D	K
JTXLX-20180	40	4
JTXLX-20180SA	40	4
JTXLX-20180SB	34	3

Test Results

1. Gain

Frequency(GHz)	2	4	8	12	18
Gain(dBi)	-3.5	1.4	1.6	1.7	1.8

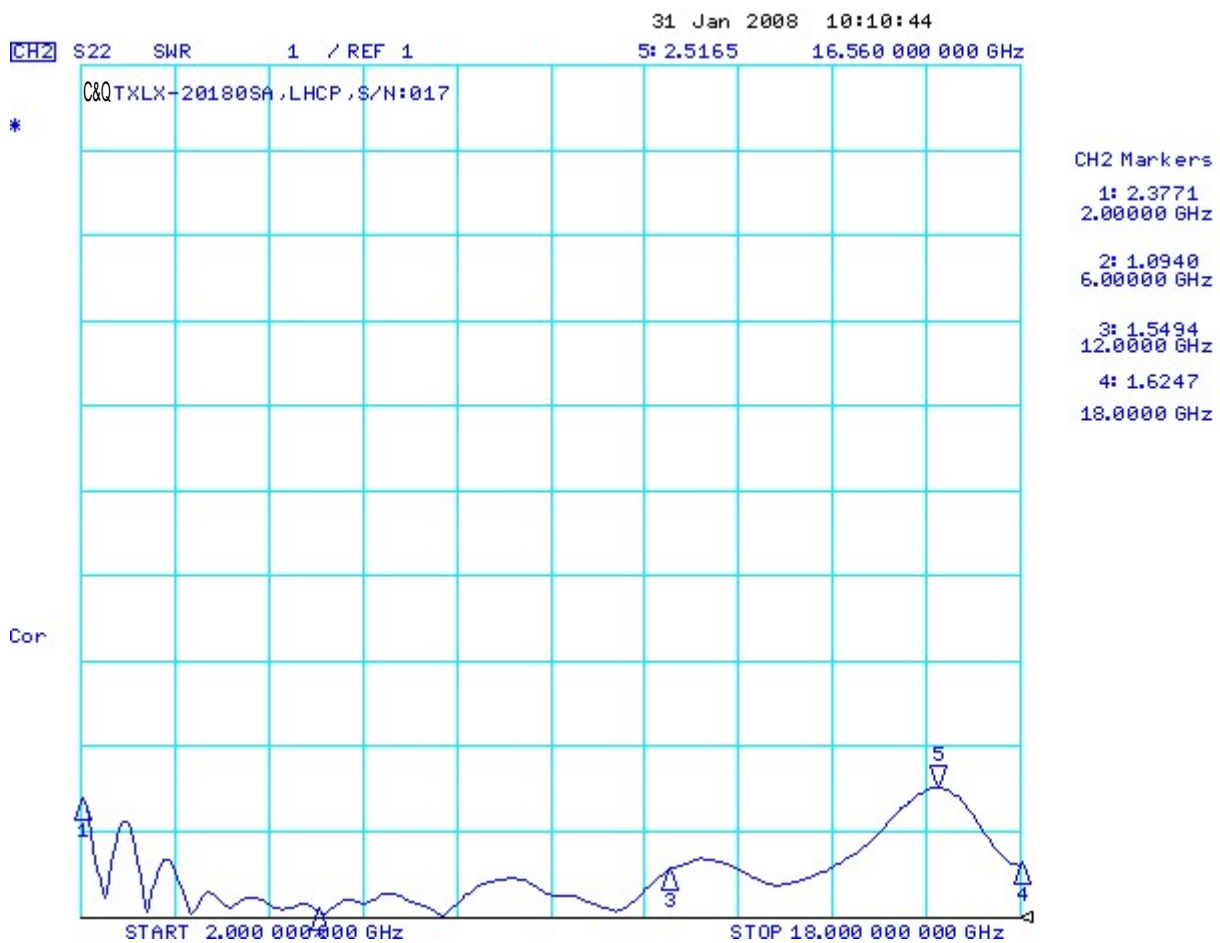
2. Axial Ratio

Frequency(GHz)	2	4	8	12	18
Ratio(dB)	3.4	1.9	2.7	1.8	3

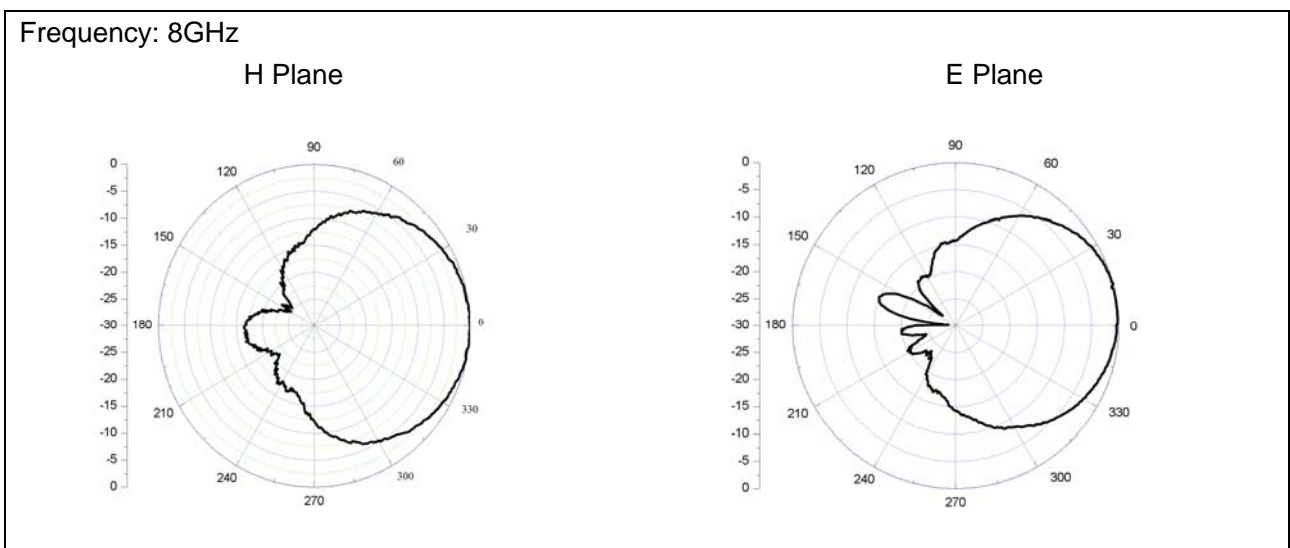
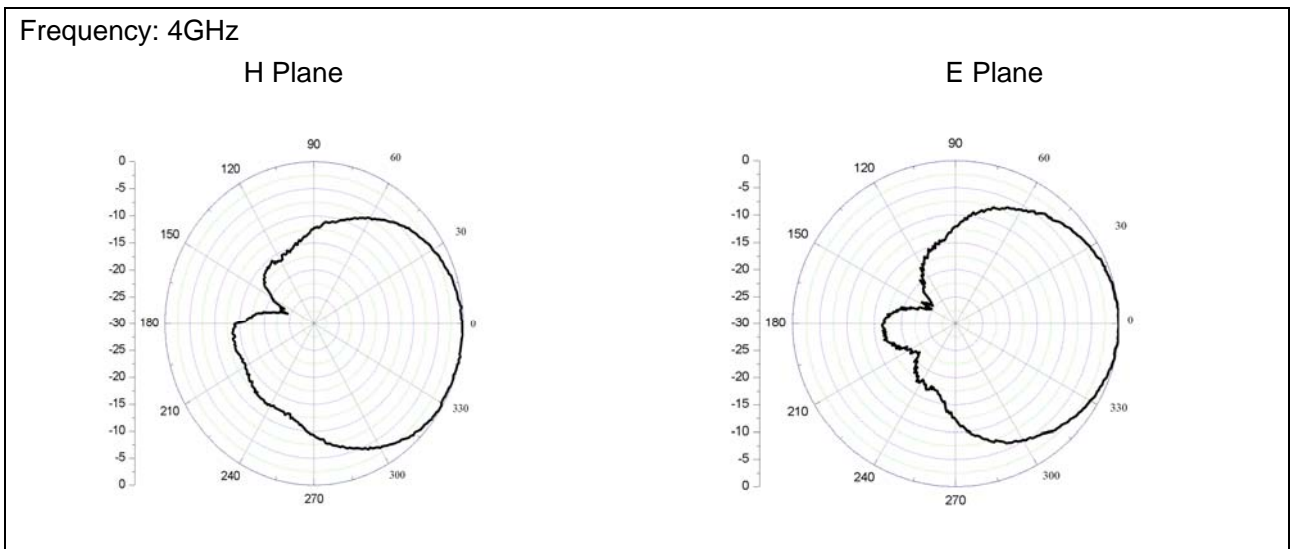
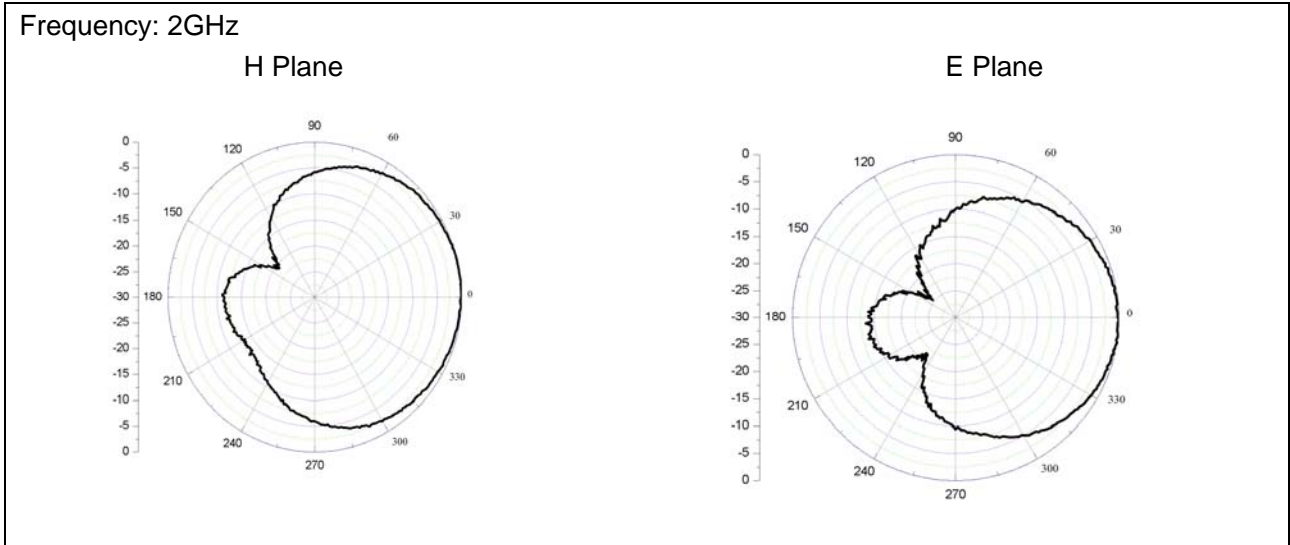
3. 3dB Beamwidth

Frequency(GHz)	E(°)	H(°)
2	100	135
4	95	95
8	65	80
12	65	75
18	75	95

4. VSWR

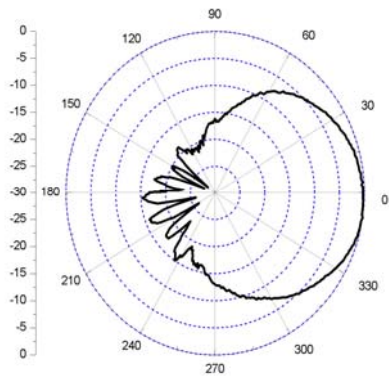


5. Pattern

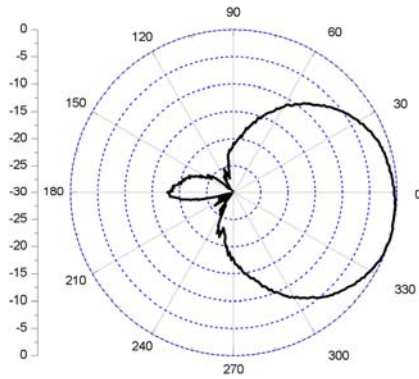


Frequency: 12GHz

H Plane

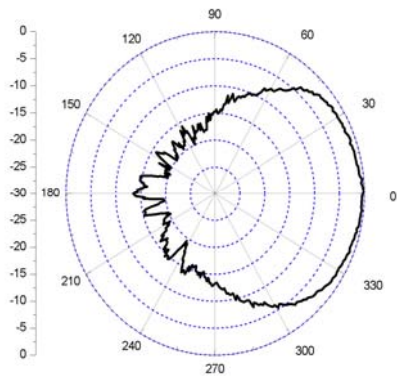


E Plane



Frequency: 18GHz

H Plane



E Plane

